

Ball eye rod ends



AVENTICS™ Ball eye rod ends



Ball eye rod end AP6, series CM2

- with flange, to mount on cylinder PRA, TRB, CCI, SSI, MNI, RPC, KPZ, 167, CVI, RDC, 102, ITS



Weight

See table below

Technical data

Part No.	Suitable piston rod thread	for	Swivel bearing Ø
1822124000	M4	MNI SSI	5 mm
1822124001	M6	MNI CCI SSI	152.4 mm
1822124002	M8	MNI CCI SSI KPZ	203.2 mm
8958206402	M10	RPC	254 mm
8958208852	M12	KHZ	304.8 mm
1822124003	M10x1,25	PRA TRB MNI CCI SSI RPC KPZ 167 CVI RDC	254 mm
1822124004	M12x1,25	PRA TRB CCI SSI RPC KPZ 167 CVI 102	304.8 mm
1822124005	M16x1,5	PRA TRB CCI SSI RPC KPZ 167 CVI RDC 102	406.4 mm
1822124006	M20x1,5	PRA TRB KPZ 167 CVI 102	508 mm
8958208002	M24x2	102	635 mm
1822124013	M27x2	PRA TRB 167 CVI	762 mm
1822124008	M36x2	ITS	889 mm
1822124009	M42x2	ITS	1016 mm
8958208842	M48x2	ITS	1270 mm

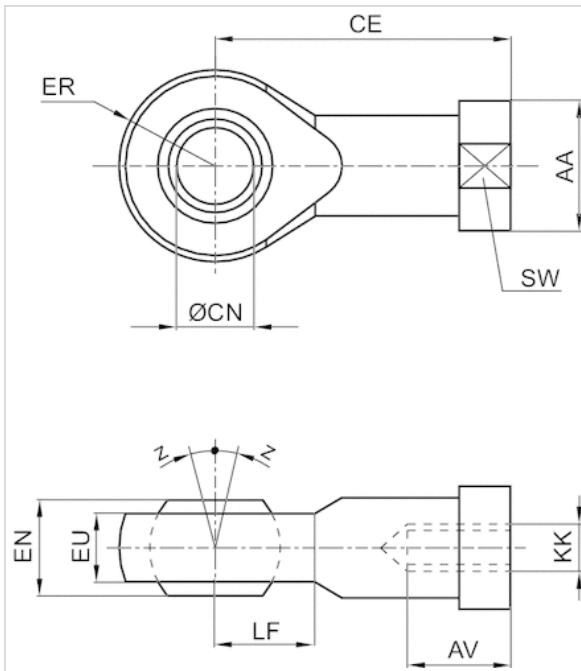
Part No.	Weight
1822124000	0.02 kg
1822124001	0.03 kg
1822124002	0.05 kg
8958206402	0.07 kg
8958208852	0.11 kg
1822124003	0.07 kg
1822124004	0.12 kg
1822124005	0.21 kg
1822124006	0.38 kg
8958208002	0.73 kg
1822124013	1.17 kg
1822124008	2 kg

Part No.	Weight
1822124009	3.4 kg
8958208842	5.2 kg

Technical information

Material	
	Steel
	galvanized

Dimensions



Dimensions

Part No.	KK	AA	AV min.	CE	Ø CN H7	EN -0,1	ER	EU max.	LF	SW	Z [°] max.
1822124000	M4	12	8	27	5	8	9	7.5	9	9	4
1822124001	M6	13	9	30	6	9	10	7.5	10	11	4
1822124002	M8	16	12	36	8	12	12	9.5	12	14	4
8958206402	M10	19	20	43	10	14	14	10.5	13	17	6
8958208852	M12	22	22	50	12	16	16	12	16	19	13
1822124003	M10x1,25	19	15	43	10	14	14	11.5	14	17	4
1822124004	M12x1,25	22	18	50	12	16	16	12.5	16	19	4
1822124005	M16x1,5	27	24	64	16	21	21	15.5	21	22	4
1822124006	M20x1,5	34	30	77	20	25	25	18.5	25	30	4
8958208002	M24x2	42	36	94	25	31	30	23	30	36	15
1822124013	M27x2	50	45	110	30	37	35	27	35	41	4
1822124008	M36x2	60	56	125	35	43	40	32	40	50	4

Part No.	KK	AA	AV min.	CE	Ø CN H7	EN -0,1	ER	EU max.	LF	SW	Z [°] max.
1822124009	M42x2	69	60	142	40	49	45.5	37	45	55	4
8958208842	M48x2	75	65	160	50	60	58	45	60	65	6

Ball eye rod end AP6, series CM2

- with flange, to mount on cylinder CCL-IS/IC, SSI, CSL-RD, ICM, ICS-D2



Weight

See table below

Technical data

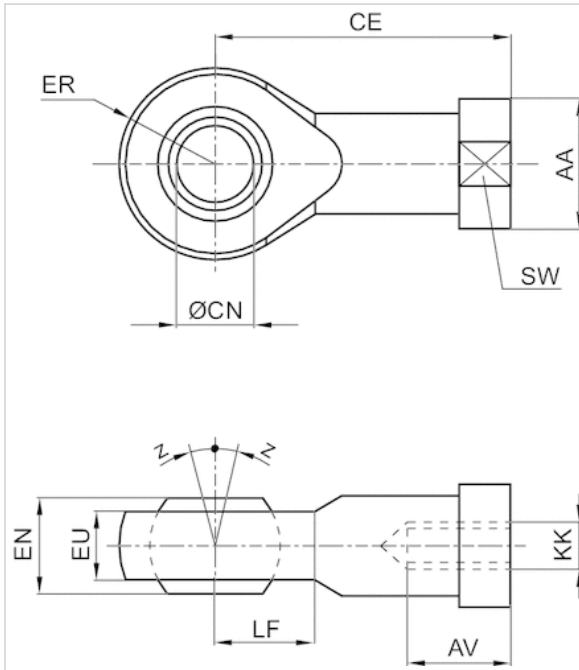
Part No.	Suitable piston rod thread	for	Swivel bearing Ø	Weight
8958209002	M4	ICM	127 mm	0.02 kg
8958209012	M6	CCL-IC CSL-RD ICM	152.4 mm	0.04 kg
8958209022	M8	CCL-IC CSL-RD ICM	203.2 mm	0.06 kg
8958209032	M10x1,25	CCL-IS CCL-IC SSI CSL-RD ICM ICS-D2	254 mm	0.09 kg
8958209042	M12x1,25	CCL-IS CCL-IC SSI ICS-D2	304.8 mm	0.12 kg
8958209052	M16x1,5	CCL-IS CCL-IC SSI ICS-D2	406.4 mm	0.23 kg
8958209062	M20x1,5	CCL-IS SSI ICS-D2	508 mm	0.41 kg
8958209072	M27x2	CCL-IS	762 mm	1.24 kg

Technical information

Material

Stainless steel

Dimensions



Dimensions

Part No.	KK	AA	AV min.	CE	Ø CN H7	EN -0,1	ER	EU max.	LF	SW	Z [°] max.
8958209002	M4	11	8	27	5	8	9	6	9	9	6,5
8958209012	M6	13	9	30	6	9	10	6,75	10	11	6,5
8958209022	M8	16	12	36	8	12	12	9	12	14	6,5
8958209032	M10x1,25	19	15	43	10	14	14	10,5	14	17	6,5
8958209042	M12x1,25	22	18	50	12	16	16	12	16	19	6,5
8958209052	M16x1,5	27	24	64	16	21	21	15	21	22	7,5
8958209062	M20x1,5	34	30	77	20	25	25	18	25	30	7,5
8958209072	M27x2	50	45	110	30	37	35	25	35	41	7,5

Ball eye rod end AP6, series CM2

- with flange, Stainless steel, acid-proof



Weight

See table below

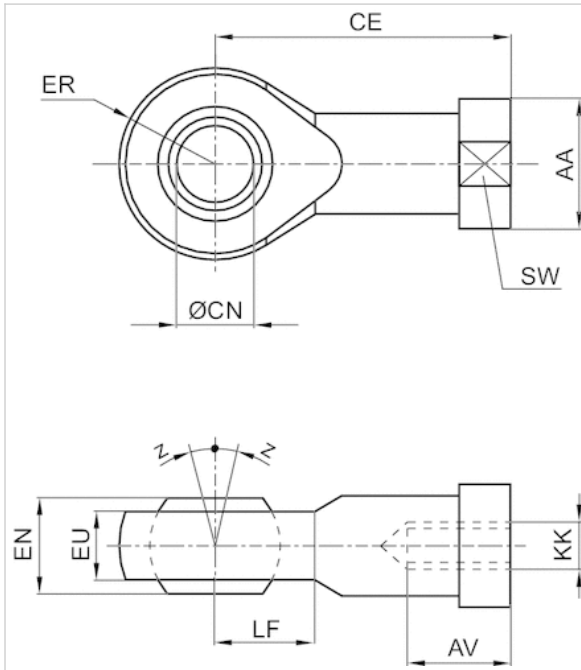
Technical data

Part No.	Suitable piston rod thread	Swivel bearing Ø	Weight
2990690903	M10x1,25	10 mm	0.09 kg
2990690904	M12x1,25	12 mm	0.12 kg
2990690905	M16x1,5	16 mm	0.27 kg
2990690908	M20x1,5	20 mm	0.48 kg
2990600912	M27x2	30 mm	1.1 kg
2990600916	M36x2	35 mm	1.4 kg

Technical information

Material
Stainless steel, acid-proof

Dimensions



Dimensions

Part No.	KK	AA	AV min.	CE	Ø CN H7	EN -0,1	ER	EU max.	LF	SW	Z [°] max.
2990690903	M10x1,25	19	20	43	10	14	14	10.5	13	17	7
2990690904	M12x1,25	22	22	50	12	16	16	12	16	19	7
2990690905	M16x1,5	27	28	64	16	21	21	15	21	22	8
2990690908	M20x1,5	34	33	77	20	25	25	18	25	32	8
2990600912	M27x2	51	51	110	30	37	35	18	36	41	4
2990600916	M36x2	58	60	125	35	35	42,5	21	45	50	6

Ball eye rod end AP6, series CM2

- with flange, to mount on cylinder PRA, TRB, CCL-IS/-IC, CCI, SSI, KPZ, 167, CVI, RPC, ITS



Weight

See table below

Technical data

Part No.	Suitable piston rod thread	for	Swivel bearing Ø
3660902000	M10x1,25	PRA TRB CCI SSI RPC KPZ 167 CVI RDC	254 mm
3660904000	M12x1,25	PRA TRB CCI SSI RPC KPZ 167 CVI 102	304.8 mm
3660905000	M16x1,5	PRA TRB CCI SSI RPC KPZ 167 CVI RDC 102	406.4 mm
3660908000	M20x1,5	PRA TRB KPZ 167 CVI 102	508 mm
3660912000	M24x2	-	635 mm
3660916000	M36x2	ITS	889 mm

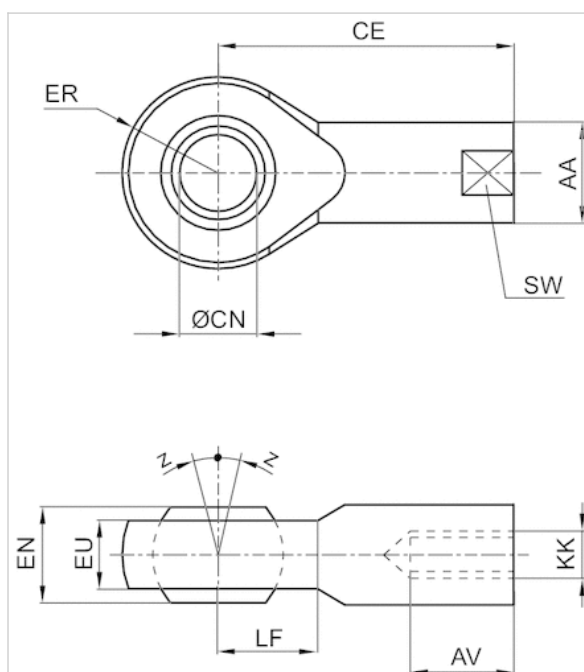
Part No.	Weight
3660902000	0.08 kg
3660904000	0.12 kg
3660905000	0.28 kg
3660908000	0.44 kg
3660912000	0.79 kg
3660916000	1.76 kg

narrow version

Technical information

Material
Steel
galvanized

Dimensions



Dimensions

Part No.	KK	AA	AV min.	CE	$\varnothing CN H7$	EN -0,1	ER	EU max.	LF	SW	Z [°] max.
3660902000	M10x1,25	19	15	43	10	12	15	9	14	17	8
3660904000	M12x1,25	22	16	50	12	12	17	8	16	19	8
3660905000	M16x1,5	29	24	67	16	16	23	11	20	24	8
3660908000	M20x1,5	34	30	77	20	20	26,5	13	23	30	8
3660912000	M24x2	42	36	94	25	25	32	17	27	36	8
3660916000	M36x2	58	56	125	35	35	42	21	37	50	6

Efficient pneumatic solutions, our program: cylinders and drives, valves and valve systems, air supply management



Visit us: [Emerson.com/Aventics](https://www.emerson.com/Aventics)

Your local contact: [Emerson.com/contactus](https://www.emerson.com/contactus)



Emerson.com



[Facebook.com/EmersonAutomationSolutions](https://www.facebook.com/EmersonAutomationSolutions)



[LinkedIn.com/company/Emerson-Automation-Solutions](https://www.linkedin.com/company/Emerson-Automation-Solutions)



[Twitter.com/EMR_Automation](https://twitter.com/EMR_Automation)

An example configuration is depicted on the title page. The delivered product may thus vary from that in the illustration. Subject to change. This Document, as well as the data, specifications and other information set forth in it, are the exclusive property of AVENTICS GmbH. It may not be reproduced or given to third parties without its consent. Only use the AVENTICS products shown in industrial applications. Read the product documentation completely and carefully before using the product. Observe the applicable regulations and laws of the respective country. When integrating the product into applications, note the system manufacturer's specifications for safe use of the product. The data specified only serve to describe the product. No statements concerning a certain condition or suitability for a certain application can be derived from our information. The information given does not release the user from the obligation of own judgment and verification. It must be remembered that the products are subject to a natural process of wear and aging.

The Emerson logo is a trademark and service mark of Emerson Electric Co. Brand logotype are registered trademarks of one of the Emerson family of companies. All other marks are the property of their respective owners. © 2017 Emerson Electric Co. All rights reserved.
2019-03



CONSIDER IT SOLVED™